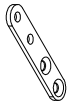




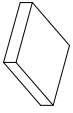
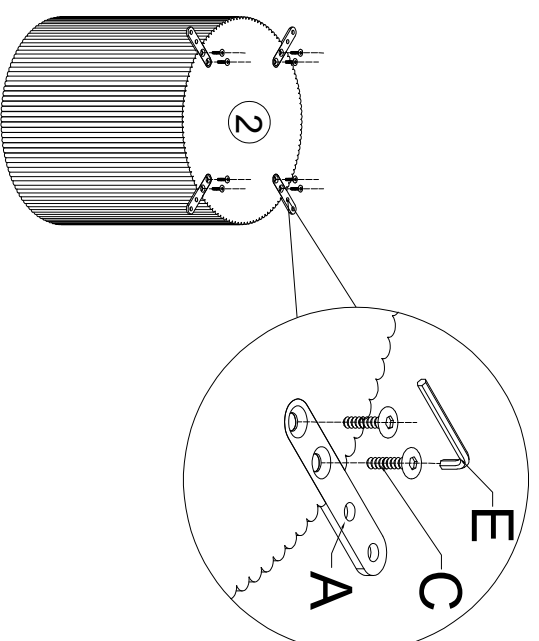


# ASSEMBLY INSTRUCTION 51835

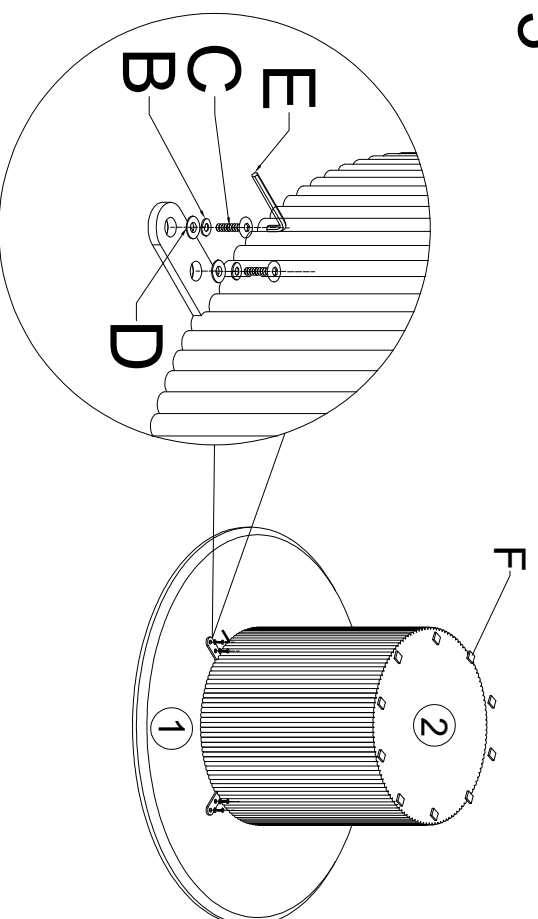
## 1 LIST OF ACCESSORIES

A		B		C		D	
	100*20*4 x4		M6 x8		6*20 x16		M6 x8
E		F					
	4# x1		40*40*2 x10				

2



3



4

